

Jungheinrich High Rack Stacker Capacity 2750 lb

ETX ac 125



The ETX ac range of trucks permit storage and retrieval of pallets and other loading aids in purpose built racking installations. With a choice of either mechanical or inductive guidance, the ETX ac requires only a minimum of working aisle width.

Operator compartment: The spacious rotating operator compartment ensures fatigue-free operation. The seat is adjustable to operator's body weight and size. The operating console with integrated armrest can be adjusted according to height and distance to seat. All operating elements are easily reached. Integrated into the central operator console is a large display which provides the operator with important truck parameters and conditions in the form of symbols.

Load Handling Device: The swivelling forks pick up loads direct from the floor, either sideways or from the front. All normal loading aids may be used. As standard, the forks can be moved to the required stacking position (left or right) by means of manually controlled overriding swivel and/or reach movement. Automatic synchronisation is available as an option. All fork movements are sensitively regulated via the engine speed and have adjustable cushioning during starting and reaching end positions. The ETX ac can also be supplied with telescopic forks.

Drive: Powerful 3-phase ac motor with 7.0 kW (60 min minimum rating) performance. High constant thermo-stability. Two years warranty.

Drive Control: Stepless, sensitive control of travel speed by means of MOSFET impulse control. The travel speed is controlled via the accelerator pedal. Regenerative braking is applied as soon as the foot comes off the accelerator pedal and the reclaimed energy is fed back into the battery or into other consuming components.

Wheels: Drive wheel dia. 15.75" x 5.7", load wheels dia. 11.6" x 5.7". Drive wheel with Vulkollan, load wheels with Tractotan tyres.

Brake: The regenerative motor brake serves as operating brake and is easy on the truck. In addition, hydraulic-mechanically operated load wheel brakes can be activated via foot pedal. Their braking power is tailored automatically to suit the lift height selected. As parking brake, an electro-magnetic spring pressure brake acts upon the drive wheel. In case of an emergency stop, all three wheels are activated simultaneously.

Steering: Easy to operate electric steering. Automatic straight ahead wheel alignment when truck is switched on.

- **Highly efficient 3-phase AC motors**
- **Energy reclamation during braking and lowering**
- **Ergonomic rotating seat**
- **Swivelling forks for load pick-up direct from the floor**
- **Lift heights up to 33 ft**

Hydraulics: Pump unit with powerful 21 kW 3-phase ac motor (S3 25%). All hydraulic movements are sensitively controlled via MOSFET impulse control. During lowering of the forks, the lift motor is switched over to regenerative operation and the reclaimed energy is fed back into the battery or other consuming components.

Mast: 2-stage or 3-stage masts with full free lift. Excellent bending strength. Mast cylinders are arranged on the outside to ensure superb visibility through the mast.

Battery: 80 V/420 Ah. 72 Volt system on request.

Easy Servicing: All components are easily accessible via simple opening of rear cover. An integrated diagnostics system provides fast fault detection and removal. Several performance parameters are immediately controllable and adjustable via PC due to most up-to-date Bus technology.

Options: Inductive guidance, application tailored truck and load pick-up device dimensions and types.

Safety: The truck conforms to current EU regulation **CE** for fork lift trucks.



ISO-9001, ISO-14001 -
Certification of Quality and
Environment Management.

JUNGHEINRICH

Performance Data

Referring to a truck with rail guidance and 2- stage mast $h_3 = 216.5$ inch

Capacity at $c = 24''$ LC		1250 kg	2750 lb
Travel speed	without load	10.5 km/h	6.5 mph
	with load	10.5 km/h	6.5 mph
Lift speed	without load	0.46 m/s	90.6 ft/min
	with load	0.45 m/s	88.6 ft/min
Lowering speed	without load	0.48 m/s	94.5 ft/min
	with load	0.48 m/s	94.5 ft/min
Service weight incl. 420 Ah battery		approx. 6540 kg	14400 lb
Battery compartment size and weight		1072 x 583 x 880 mm (1238 kg)	42.2 x 23 x 34.6" (2730 lb)

Technical Data

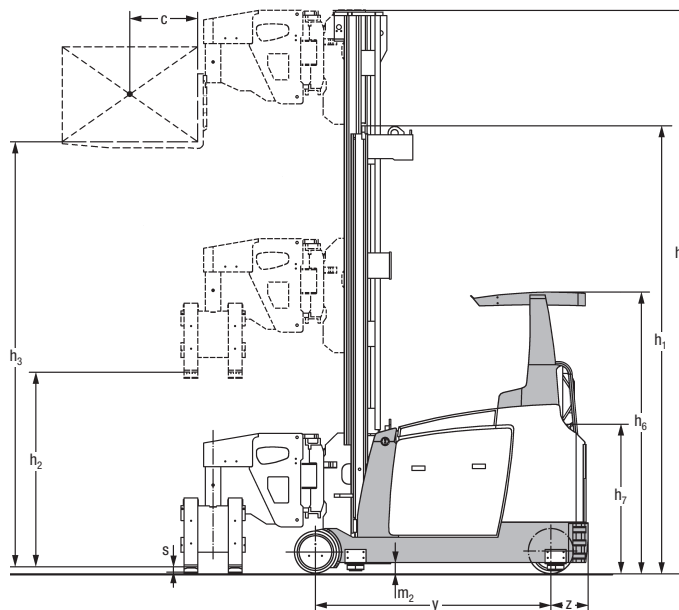
Truck dimensions relating to max. pallet size 48 x 48" and 2-stage mast (further dimensions on request)	mm	inch
c — Load centre	600	24.0
y — Wheelbase	1764	69.4
z — Rear edge truck – drive axle	332	13.1
h_1 — Closed mast height	see table	see table
h_2 — Free lift	see table	see table
h_3 — Lift	see table	see table
h_4 — Extended mast height	see table	see table
h_6 — Height of overhead load guard	2461	96.9
h_7 — Seat height	1280	50.4
l — Fork length	1200	47.2
s — Fork thickness	40	1.6
e — Fork width	120	4.7
l_1 — Total length without load	3492	137.5
l_2 — Length incl. back of forks	3176	125.0
l_6 — Stacking-in depth	1220	48.0
l_8 — Pivot point load wheel axle	956	37.6
b_1 — Chassis width	1210	47.6
b_2 — Width over load wheel axle	1450	57.1
b_5 — Width over forks	845	33.3
b_6 — Width over guide rollers	1650	65.0
b_7 — Reach	1310	51.6
b_{12} — Pallet width	1220	48.0
A_{st} — Working aisle width rail guided	see table	see table
W_a — Turning radius	2135	84.1
m_2 — Ground clearance centre wheelbase	90	3.5

Working Aisle Widths

	mm	inch
Pallet size	1016 x 1220	40 x 48
Insertion depth	1220	48.0
Ast- Aisle width, rail-guided	1650	65.0
Ast- Aisle width, wire-guided	1720	67.7
Ast ₃ - Transfer aisle (8" clearance) *	3690	145.3
Pallet size	1220 x 1016	48 x 40
Insertion depth	1016	40.0
Ast- Aisle width, rail-guided	1420	55.9
Ast- Aisle width, wire-guided	1520	59.8
Ast ₃ - Transfer aisle (8" clearance) *	3910	153.9

* practical transfer aisle width +20" (+500 mm) with rail-guidance
 * practical transfer aisle width +40" (+1000 mm) with wire-guidance

Right reserved to carry out modifications and technical improvements.



Standard mast types

Two-stage masts ZT			Three-stage masts DZ			
h_3	h_1	h_4	h_3	h_1	h_4	h_2
inch	inch	inch	inch	inch	inch	inch
118.1	101.2	163.4	216.5	114.2	261.8	68.9
128.0	106.1	173.2	236.2	122.0	281.5	76.8
137.8	111.0	183.1	255.9	129.9	301.2	84.6
147.6	115.9	192.9	275.6	137.8	320.9	92.5
157.5	120.9	202.8	295.3	145.7	340.6	100.4
167.3	125.8	212.6	315.0	153.5	360.2	108.3
177.2	130.7	222.4	334.6	161.4	379.9	116.1
187.0	135.6	232.3	354.3	169.3	399.6	124.0
196.9	140.6	242.1	374.0	177.2	419.3	131.9
206.7	145.5	252.0	393.7	185.0	439.0	139.8
216.5	150.4	261.8				
226.4	155.3	271.7				
236.2	160.2	281.5				
246.1	165.2	291.3				
255.9	170.1	301.2				
265.7	175.0	311.0				
275.6	179.9	320.9				
285.4	184.8	330.7				
295.3	189.8	340.6				

