



PDS25

Power Drive Straddle Trucks

Short turning radius make the PDS an excellent choice for narrow aisles, tool rooms or street loading application's



CAPACITY

2500 lbs. at 24" load center

BATTERY

24-volt industrial battery or battery pack. Minimum battery weight 480/590 lbs. AH capacity minimum/maximum 180/255. Open battery compartment, dimensions are 26.37" x 9.06" x open. Connector is SB-175 Gray—A-11.

SPEED

ZAPI travel controller

TRAVEL

Variable from 0 mph to 3.4 mph empty
Variable from 0 mph to 3.1 mph loaded

LIFT

Up to 33 fpm empty.
Up to 25 fpm loaded—2000/2500lbs

LOWERING

Up to 29 fpm empty.
Up to 57 fpm loaded—2000/2500 lbs.

WEIGHT

1943 lbs. Chassis Only

TIRES

DRIVE
9" x 3" polyurethane
LOAD
4" x 2.75" polyurethane

HYDRAULICS

Lift cylinder is hard chrome. Pump unit including motor, gear pump, and solenoid. Actuated using a pressure compensated lowering valves regulates lowering speeds.

ELECTRICAL

ZAPI AC travel controller and AC drive motor provide high torque throughout entire drive range. Regenerative braking and brushless design drastically reduced maintenance.

Travel speed remains constant relative to throttle position regardless of load on truck. Automatic resetting circuit breaker and one piece micro switch design complete the system.

BRAKES

Electromagnetic brake is mounted on motor armature shaft multiplying the braking power through the ZF GK10 transmission. Brake is applied when control arm is in the vertical or horizontal handle position.

Reduced travel speed when forks are above 12" fork height. Neutral braking-anti-roll back on ramps.

CONTROLS

Travel, lift, lower functions are located in the ergonomic operator handle, designed to allow operation with either hand. Wrap around guard, reversing switch, thumb control, and horn are standard.

Crawl speed function while steer handle is at 1.5° back-tilt from vertical. This allows for easy maneuvering at reduced travel speeds in tight places.

TRANSMISSION

Vertically mounted drive motor is direct mounted to gear housing. Oil bathed ZF GK10 hypoid bevel gear drive-train transfers power to axle. State of the art optimized gear technology supplies advantages such as minimal envelope circle, zero maintenance, low noise level, high efficiency and high performance.

FRAME AND MAST

Bolt-on high visibility mast, I-beam construction, lift cylinders positioned in outer I-beam for best view through mast. Dual lifting chains.

Three inch wide adjustable straddle legs allow ease of use in racked aisles. Straddle leg inside dimension (ID) can be set at 38" to 50" in 4" increments; 42" to 50" with the triple stage mast

Class two ITA fork carriage with 36" tall load back rest. Forks are adjustable form 8" ID to 30" OD

BEARINGS

DRIVE WHEEL-Tapered roller bearings sealed in oil bath
LOAD WHEELS-Sealed ball bearings

ACCESSIBILITY

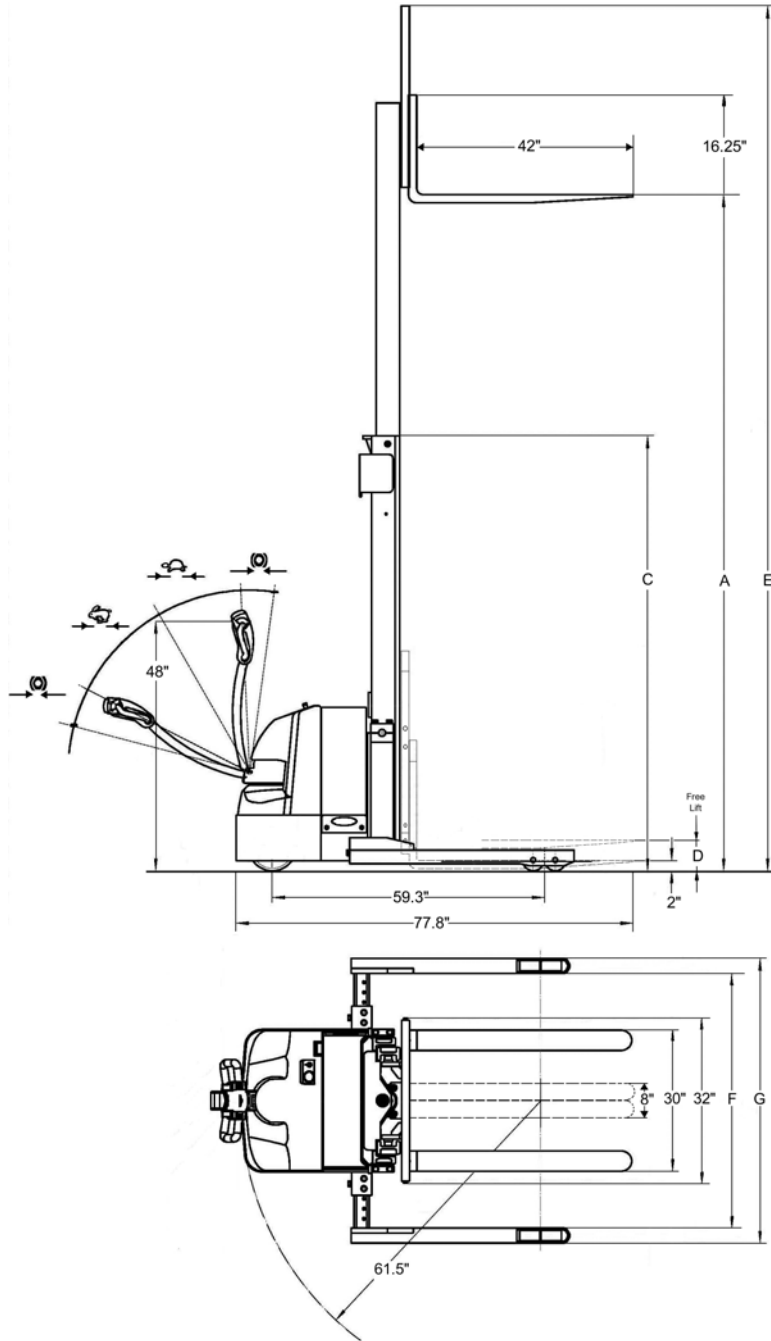
Removal of two piece power head cover exposes major components for inspection and maintenance. Drive wheel is removed with one nut.

STANDARD EQUIPMENT

- 3" Wide Straddle Leg
- Regenerative Neutral Braking
- Creep Speed Handle Control
- Gas Assist Spring Handle
- Low Battery – Interrupt
- Hour Meter BDI Combo Gauge
- Key Switch



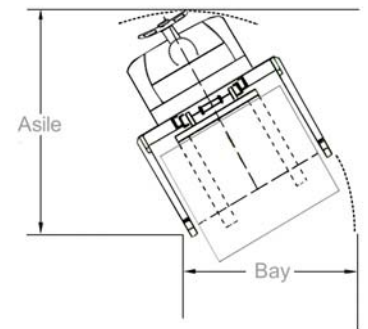
- Adjustable Straddle Legs



Right Angle Stacking Aisle Dimensions

Load Length	Load Width			
	36"	40"	42"	48"
36"	66"	66"	68"	69"
42"	66"	66"	68"	69"
48"	80"	80"	79"	77"

- Aisle dimensions listed have zero clearance
- Add 3" for triple stage mast
- Add 12" for ease of use



Note: Aisle dimensions listed above assume the bay width to be straddle OD plus 2" (1" on each either side of straddle leg). Straddle OD is the load width plus 8"

Model #	Mast	Lift Height	Col Height	Free Lift	Ext Height w/LBR	Adjustable Straddle Leg 4" Increments		Weight Chassis Only
		A	C	D	E	F	G	

2500 Capacity @ 24" Load Center ITA Class II Fork Carriage

PDS 25-106	Telescopic	106	71	6	142	38 to 50	44 to 56	1726
PDS 25-130	Telescopic	130	83	6	165	38 to 50	44 to 56	1816
PDS 25-142	Telescopic	142	89	6	178	38 to 50	44 to 56	1858
*PDS 25-153	Telescopic	153	95	6	189	38 to 50	44 to 56	1943
*PDS 25-157	TriMast	157	71	50 **	193	42 to 50	48 to 56	2156

*Derates 500 lbs. above 142"

** TriMast minimum inside dimension (ID) 42" - outside dimension (OD) = inside dimension + 6"